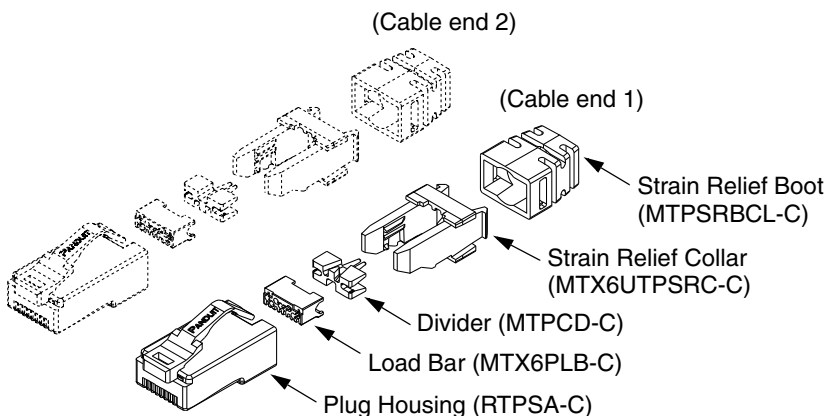




## T568B Wiring Scheme



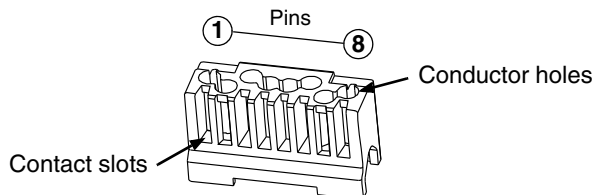
| Pin # | 8   | 7       | 6   | 5       | 4   | 3       | 2   | 1       |
|-------|-----|---------|-----|---------|-----|---------|-----|---------|
| T568B | BRN | BRN/WHT | GRN | BLU/WHT | BLU | GRN/WHT | ORG | ORG/WHT |

### Specifications

- Cable jacket diameter 0.225-0.250 in.
- 23-24 AWG stranded or solid conductor max. insulated diameter 0.036-0.042 in.
- Panduit recommends T568B wiring scheme for use with cable constructed with the brown pair opposing the orange pair.

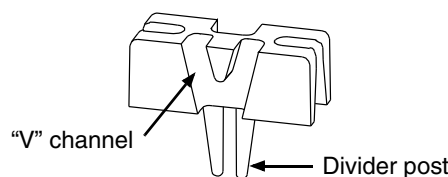
#### Load Bar

Conductor holes and Contact slots

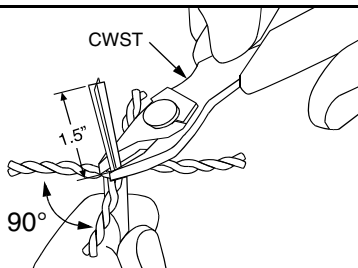
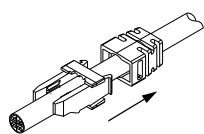


#### Divider

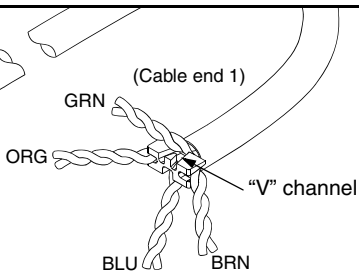
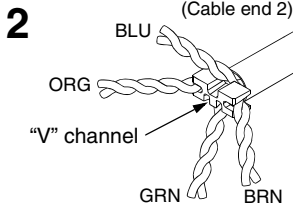
Conductor slots and "V" channel



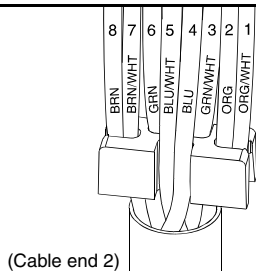
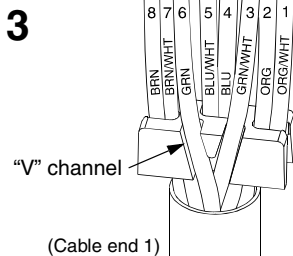
- 1** Thread on boot and collar first!  
(Cable ends 1 & 2)



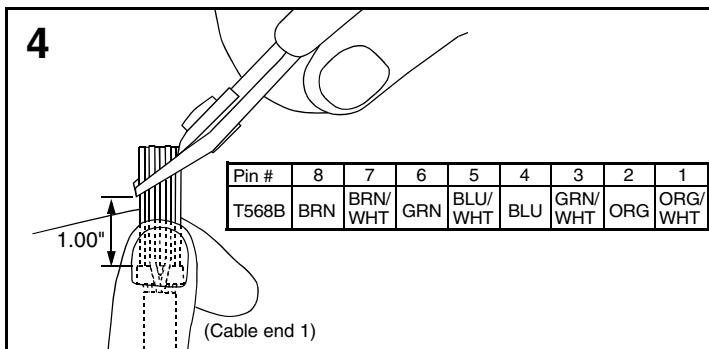
- Thread boot and collar onto cable.
- Remove 1.5" of the outer jacket using wire stripping tool (CJAST).
- Fan twisted pairs into respective quadrants. The brown pair should be opposite the orange pair.
- Cut spline flush to fanned pairs using wire snipping tool (CWST).



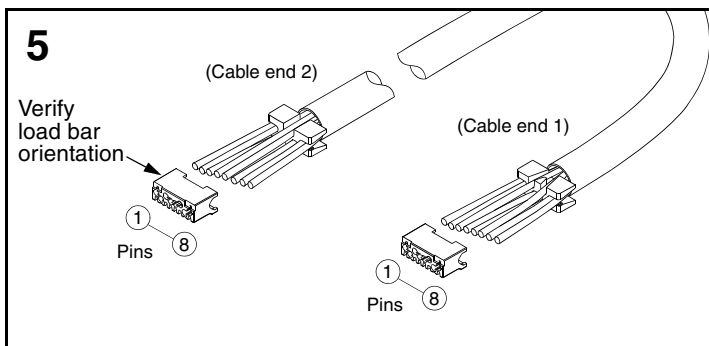
- Align the conductor divider "V" channel with the green pair.
- Insert divider posts into the cable. If the cable has an internal spline, insert divider posts into the brown and orange quadrants of the spline.



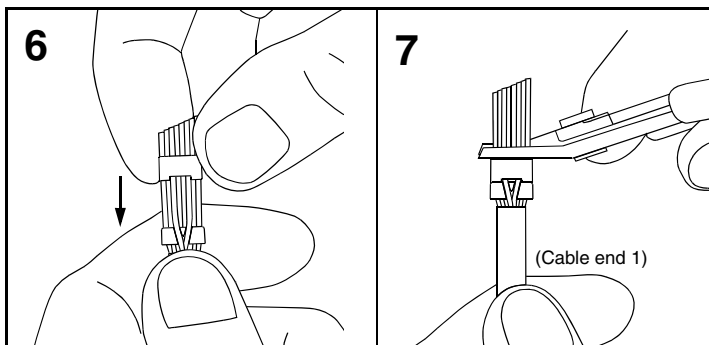
- Arrange conductors to T568B wiring scheme while minimizing untwist.
- Seat conductors into proper divider slots while holding divider flush with cable jacket.



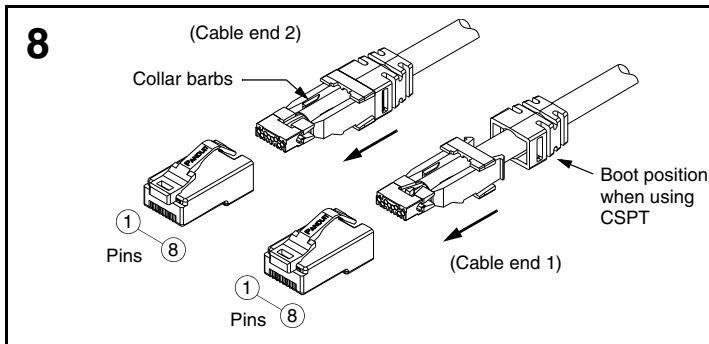
- Straighten and align untwisted conductors using a circular motion while holding conductors in respective divider slots.
- Maintain grip of conductors in T568B wiring scheme.
- Trim conductors on an angle approximately 1.00" from divider leading edge.



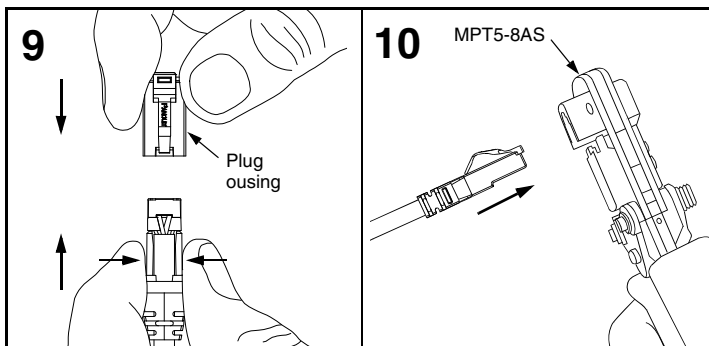
- Orient load bar with contact slots facing downward.



- Guide conductors into load bar holes while holding conductors in the divider.
- Slide load bar towards divider until flush.
- Ensure the divider/load bar is centered and perpendicular to the cable axis.
- Trim conductors flush with load bar face.

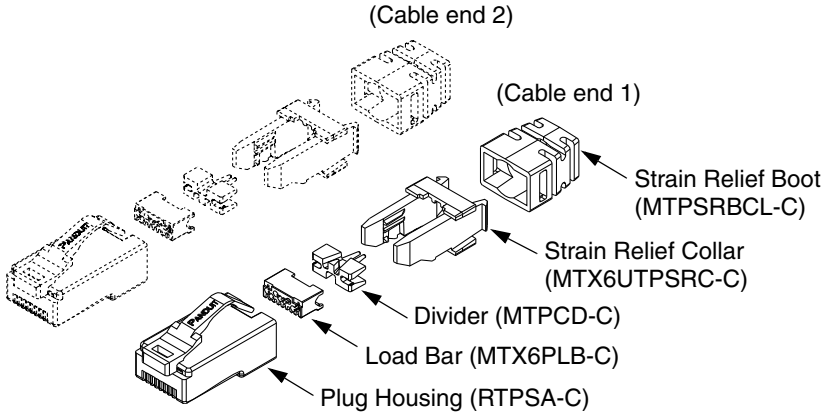


- Hold the load bar and divider stationary while sliding the strain relief collar forward until there is no gap between the collar and divider.
- Confirm the cable jacket extends beyond the collar barbs.
- Align pin #1 of cable sub-assembly (cable, load bar, divider, and strain relief collar) with pin #1 of plug housing.



- Grip the strain relief collar and insert cable sub-assembly into the plug housing. (Fig. 9)
- Push sub-assembly into housing until collar locking tabs engage the plug housing pocket. Although not required, TX6 PLUS Plug Assembly Tool (CSPT) is available to facilitate this step.
- Use tool MPT5-8AS to complete plug termination. (Fig. 10)
- Push up boot and engage with collar latches.
- Visually check plug. Assembly is complete.

# T568A Wiring Scheme



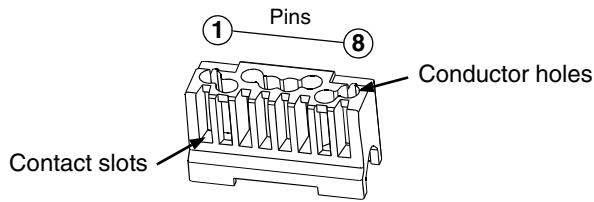
| Pin # | 8   | 7       | 6   | 5       | 4   | 3       | 2   | 1       |
|-------|-----|---------|-----|---------|-----|---------|-----|---------|
| T568A | BRN | BRN/WHT | ORG | BLU/WHT | BLU | ORG/WHT | GRN | GRN/WHT |

## Specifications

- Cable jacket diameter 0.225-0.250 in.
- 23-24 AWG stranded or solid conductor max. insulated diameter 0.036-0.042 in.
- Panduit recommends T568A wiring scheme for use with cable constructed with the brown pair opposing the green pair.

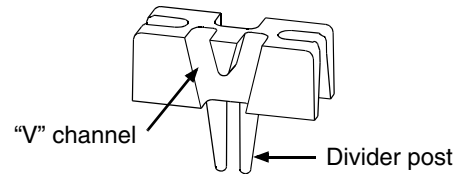
### Load Bar

Conductor holes and Contact slots

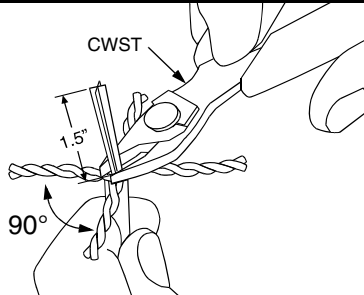
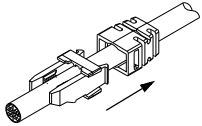


### Divider

Conductor slots and "V" channel

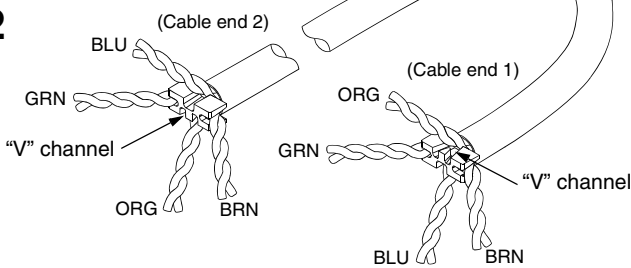


- 1** Thread on boot and collar first!  
(Cable ends 1 & 2)



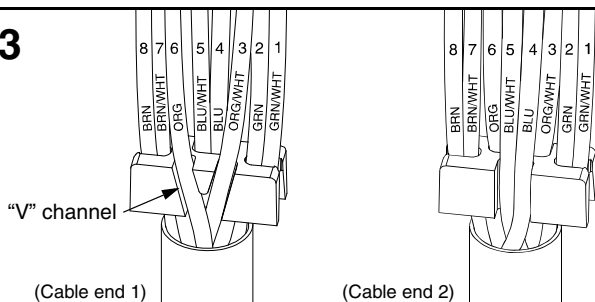
- Thread boot and collar onto cable.
- Remove 1.5" of the outer jacket from the cable end using wire stripping tool (CJAST).
- Fan twisted pairs into respective quadrants. The brown pair should be opposite the green pair.
- When a cable spline (X-shaped filler) is present, cut spline flush to fanned pairs using wire snipping tool (CWST).

- 2** (Cable end 2)

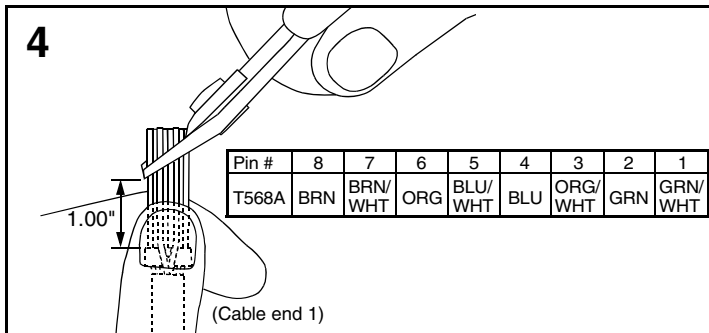


- Align the conductor divider "V" channel with the orange pair.
- Insert divider posts into the cable. If the cable has an internal spline, insert divider posts into the brown and green quadrants of the spline.

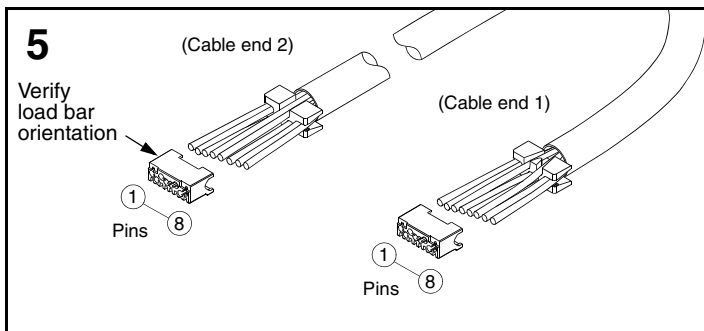
- 3**



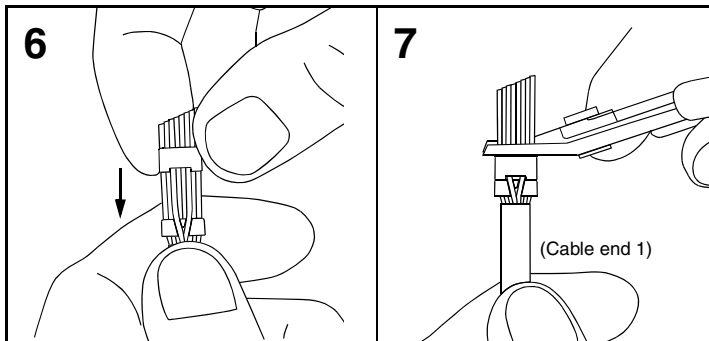
- Arrange conductors to T568A wiring scheme while minimizing untwist.
- Seat conductors into proper divider slots while holding divider flush with cable jacket.



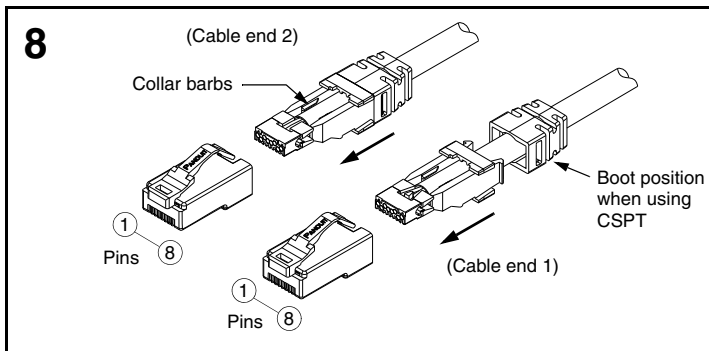
- Straighten and align untwisted conductors using a circular motion while holding conductors in respective divider slots.
- Maintain grip of conductors in T568A wiring scheme.
- Trim conductors on an angle approximately 1.00" from divider leading edge.



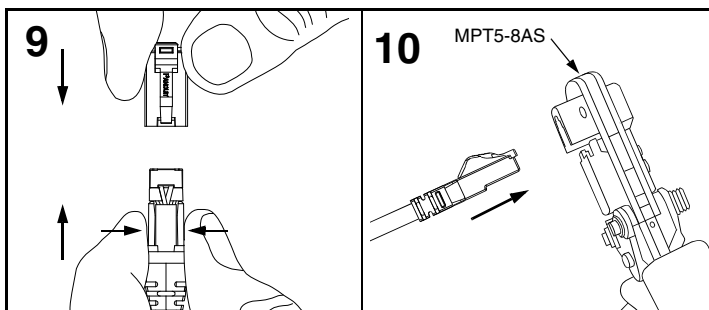
- Orient load bar with contact slots facing downward.



- Guide conductors into load bar holes while holding conductors in the divider.
- Slide load bar towards divider until flush.
- Ensure the divider/load bar is centered and perpendicular to the cable axis.
- Trim conductors flush with load bar face.



- Hold the load bar and divider stationary while sliding the strain relief collar forward until there is no gap between the collar and divider.
- Confirm the cable jacket extends beyond the collar bars.
- Align pin #1 of cable sub-assembly (cable, load bar, divider, and strain relief collar) with pin #1 of plug housing.



- Grip the strain relief collar and insert cable sub-assembly into the plug housing. (Fig. 9)
- Push sub-assembly into housing until collar locking tabs engage the plug housing pocket. Although not required, TX6 PLUS Plug Assembly Tool (CSPT) is available to facilitate this step.
- Use tool MPT5-8AS to complete plug termination. (Fig. 10)
- Push up boot and engage with collar latches.
- Visually check plug. Assembly is complete.

For Instructions in Local Languages and Technical Support:

[www.panduit.com/resources/install\\_maintain.asp](http://www.panduit.com/resources/install_maintain.asp)

**PANDUIT**

[www.panduit.com](http://www.panduit.com)

E-mail: [techsupport@panduit.com](mailto:techsupport@panduit.com)

Phone: 866-405-6654